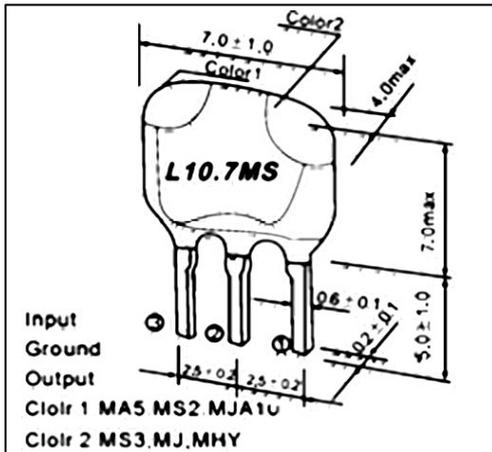
**Technical Characteristics**

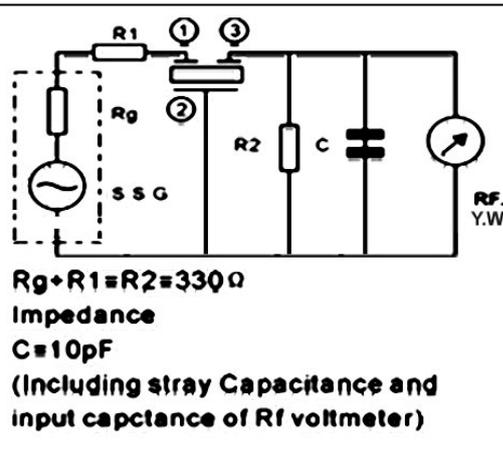
Part Number		3db Band Width(KHz) 3(db)	20db Band Width(KHz) 20(db)	Insertion Loss(db)	Spurious Affenuation (9-12MHz)(db) min
Dip Type	SMD Type				
LT10.7MA5	LTCA10.7MA5	280±50	650	6	30
LT10.7MS2	LTCA10.7MS2	230±50	600	6	40
LT10.7MS3		180±40	520	7	40
LT10.7MJ		150±40	400	10	38
LT10.7MA5A10	LTCV10.7MA5	280±50	590	2.5±2.0	30
LT10.7MS2A10	LTCV10.7MS2	230±50	520	3.0±2.0	35
LT10.7MS3A10	LTCV10.7MS3	180±40	470	3.5±1.5	35
LT10.7MJA10		150±40	360	4.5±2.0	35
LT10.7MA19		≥350	950	3±2	20
LT10.7MA20		330±50	680	4±2	30
LT10.7MHY		110±30	350	7±2	30
LT10.7MFP		≤20	95	6.0max	24



## DIMENSION (mm)



## TEST CIRCUIT



## CHARACTERISTICS

